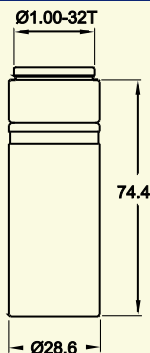


Precise Eye System Dimensions

All measurements are in mm unless otherwise specified.

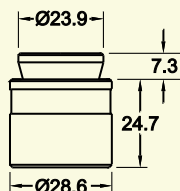
Attachments

All adapters have a diameter of $\text{Ø}28.6$ mm ($\text{Ø}1.125$ inches)

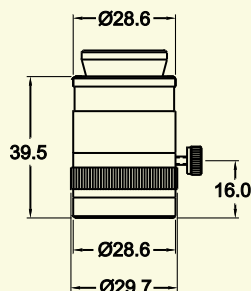


0.67X 1.0X 1.33X 2.0X
1-61453 1-61445 1-61448 1-61450

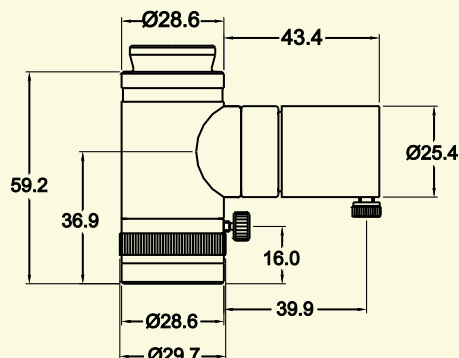
Body Tubes



1-61456

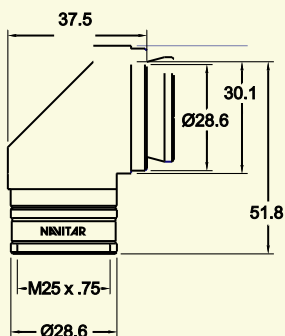


1-61449

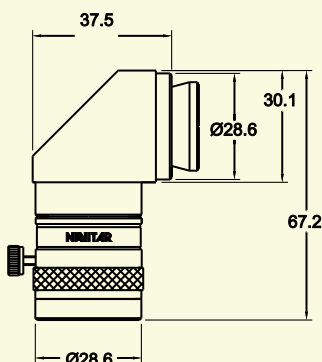


1-61446

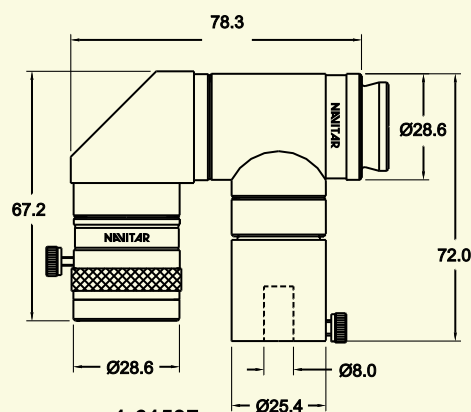
Right Angle Body Tubes



1-61530

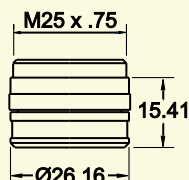


1-61535

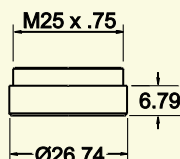


1-61537

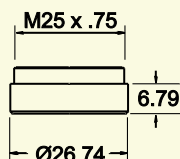
Attachments



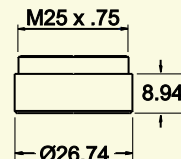
0.25X
1-6044



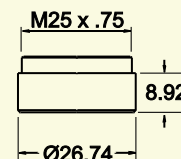
0.5X
1-60110



0.75X
1-60111



1.5X
1-60112



2.0X
1-60113